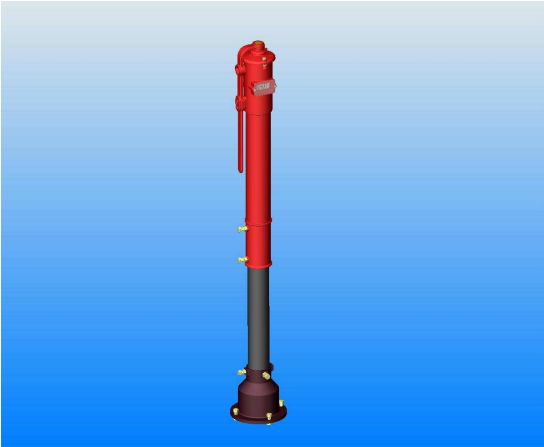


Vertical PI

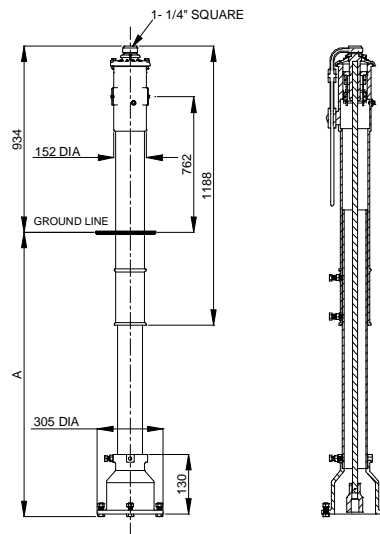
Description

- Brand: RAPIDROP®
- UL / FM approved
- For NRS valves 4" to 8"
- Minimum adjustment = 384 mm
- Maximum adjustment = 1284 mm



Installation

- Remove the top section from the top of the Indicator Post assembly.
- Cut the required length off the bottom of the Standpipe for the Ground Line to match up with Standpipe Ground Line mark.
- Cut the 1" square stem bar to suit valve position.
- Set the "OPEN" and "SHUT" targets for the appropriate valve size.
- Re-attach the Top section to the top of the Indicator assembly.



Wall PI

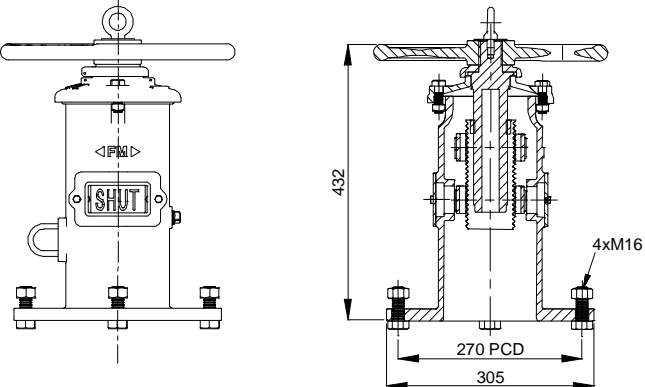
Description

- Brand: RAPIDROP®
- UL / FM approved
- Pour vanne Rapidrop NRS 4" à 8"



Installation

- Remove the Top section from the top of the Indicator Post assembly.
- Cut the 1" square stem bar to suit valve position.
- Set the "OPEN" and "SHUT" targets for the appropriate valve size.
- Re-attach the Top section to the top of the Indicator Post assembly.



Fire protection