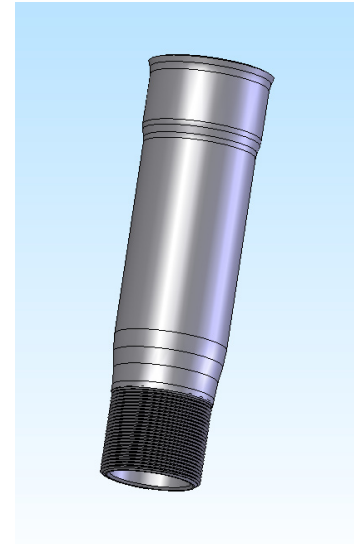
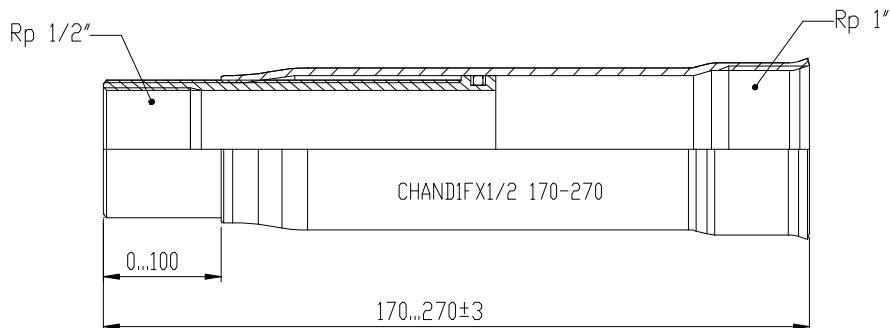
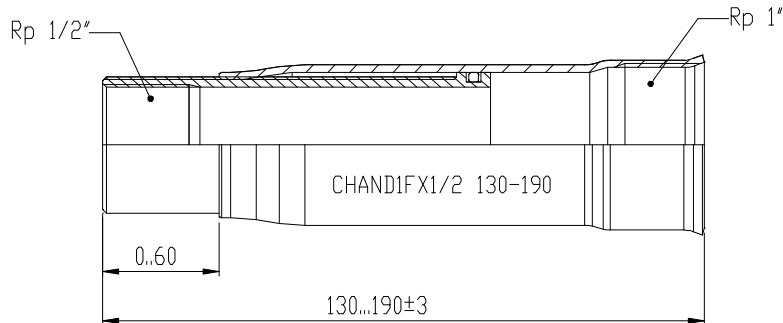


Fire protection

## Description

- Trademark: Virotec®
- FM / VdS approved
- Telescope pipe is a length adjustable drop nipple for used in fixed fire extinguishing systems. It allows the exact adjustment of sprinkler heads (inclusive escutcheons) in the centre of the tile. The adjustment can be made the complete installation of the pipe system.
- The adjustment of the length is done by screwing the inside pipe in or out. This is possible when the system is under pressure. The O-ring seals the gap between the two pipes.
- Working pressure: PN25 (25 bars)
- Working temperature: -20°C to + 110 °C

Description	Reference	Length (mm)		Adjustment (mm)	Connections		Weight (kg)
		mini	maxi		Inlet	Outlet	
Telescope pipe	CHAND1X1/2 100-160	100	160	60	1" M	1/2" F	0.4
Telescope pipe	CHAND1X1/2 140-240	140	240	100	1" M	1/2" F	0.6



Protection incendie

## Description

- Trademark: Virotec®
- FM / VdS approved
- Telescope pipe is a length adjustable drop nipple for used in fixed fire extinguishing systems. It allows the exact adjustment of sprinkler heads (inclusive escutcheons) in the centre of the tile. The adjustment can be made the complete installation of the pipe system.
- The adjustment of the length is done by screwing the inside pipe in or out. This is possible when the system is under pressure. The O-ring seals the gap between the two pipes.
- Working pressure: PN 25 (25 bars)
- Working temperature: -20°C to + 110 °C

Description	Reference	Length (mm)		Adjustment (mm)	Connections		Weight (kg)
		mini	maxi		Inlet	Outlet	
Telescope pipe	CHAND1X1/2 130-190	130	190	60	1" F	1/2" F	0.45
Telescope pipe	CHAND1X1/2 170-270	170	270	100	1" F	1/2" F	0.6